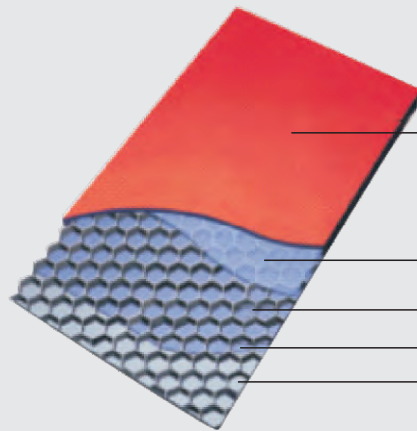


Aluminum Honeycomb Panel



We adopt advanced continuous thermal compounding technology from German Alhigerman, and use high-intensity heat plastic adhesion system, which changes the low production proficiency and high product random of traditional hand-made and single plate producing technique and overcomes the shortcomings of traditional techniques for crispness and hardness adhesion system. These shortcomings include: the adhesion is easy to crisp and volatilize; the adhesion power reduces quickly after compounding, and the product is poor for processing. OUSILONG™ aluminum honeycomb panel is fully made from aluminum, which is recyclable and good for environmental protection. Besides, the fusion point of aluminum is 660.4℃, so the panel is ultimately fireproof. Since it weighs much lighter but with high intensity, the panel can be widely used on curtain wall, carriage, ship hull and etc. Especially on buildings, it's capable to bear strong wind pressure so that it meets requirement for large lattices on the curtain wall of super big & high buildings. This product also has good flatness and it is easy to process.



Panel Structure

- Fluorine Carbon Coated Aluminum Front Sheet
- Special Highly Adhesive Film
- Aluminum Honeycomb Core
- Special Highly Adhesive Film
- Resin Coated Aluminum Backing Sheet

Panel Specifications;

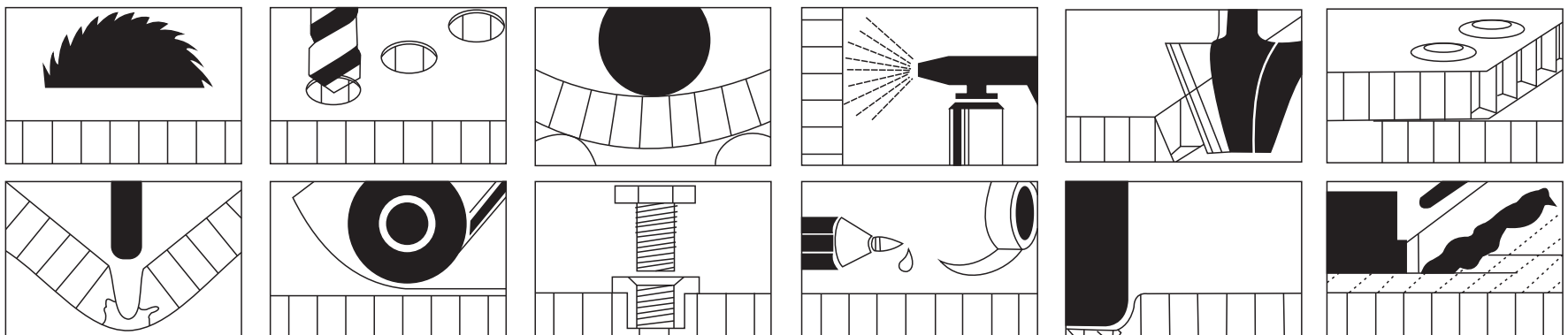
- Standard Thickness: 10, 12, 15, 18, 20, 25mm
- Available Thickness: 6 ~ 90mm
- Standard Width: 1220, 1250, 1500mm
- Available Width: ≤ 1500mm
- Available Length: ≤ 6000mm

Temperature Tolerance

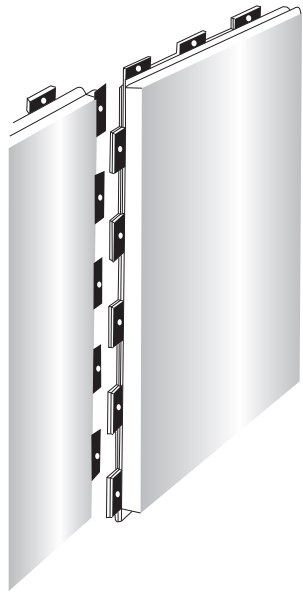
The standard aluminum honeycomb panel can be used in temperature - 60℃ ~ +120℃, meeting building requirement.

Process

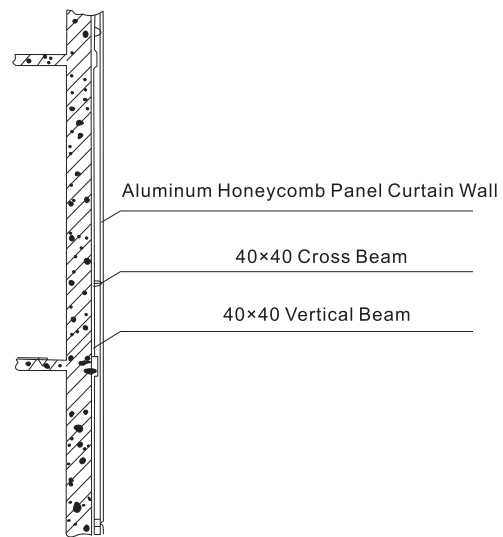
Cutting, Grooving, Bending, Rolling



Installation Method 1 On Curtain Wall

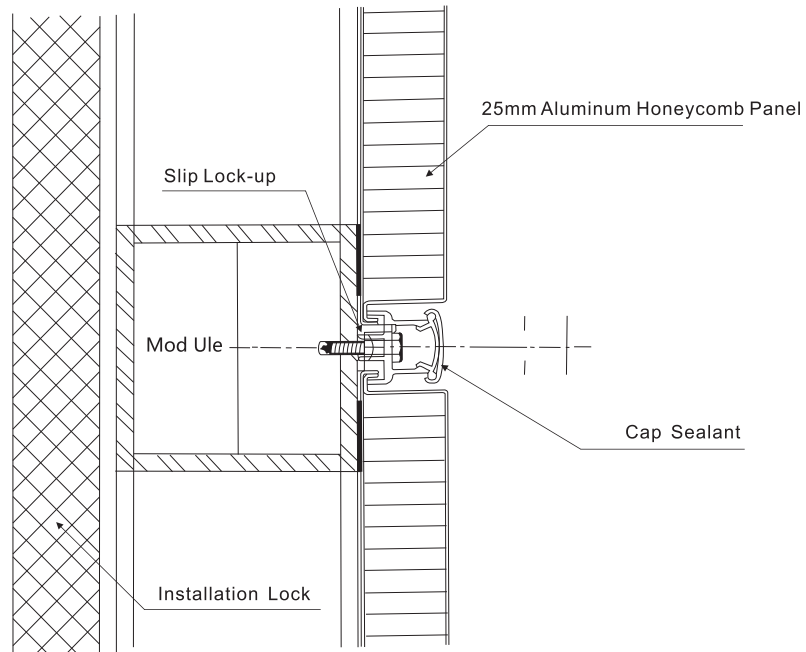
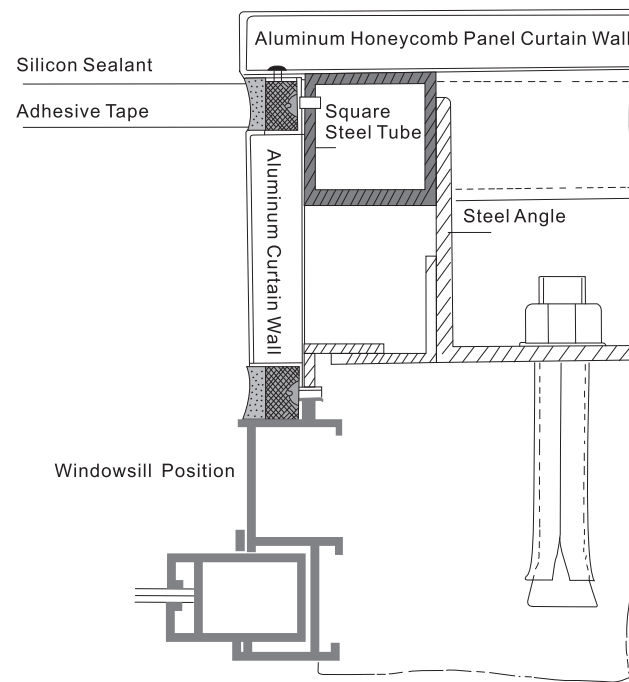


Lateral View On Honeycomb Panel Curtain Wall



Installation Method 2 On Curtain Wall

Curtain Wall Including Windowsill Installation Drawing



Suspension Hanger



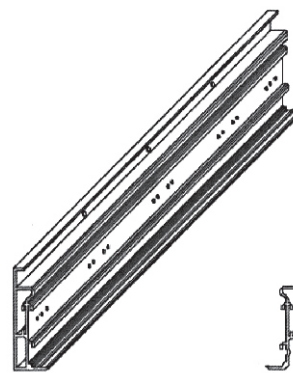
Windproof Lock



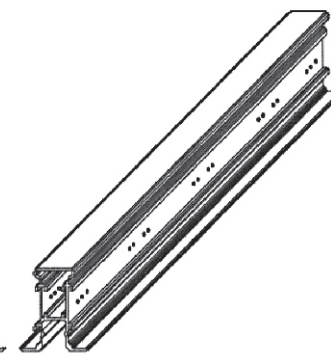
Corner Connector Expansion Graph



Wall Keel



Main Keel



Keel Decorative Strip

Water-proof Structure

- Aluminum Honeycomb Panel bases on grade 3003 aluminum alloy sheet, and the aluminum sheet owns water-proof property. After PVDF coated on its surface, the whole panel has weather resistance, chemical preservation and etc.
- When in installation, panels are tightly connected with sealed aluminum profiles from four sides, so as to prevent rainwater from osmosis.
- To achieve the best water-proof effect, plug-in installation method & weather silicone sealant are applied.

Application

Exterior wall panel, interior decorative panel, partition panel, ceiling, roof board, carriage, ship hull and etc;